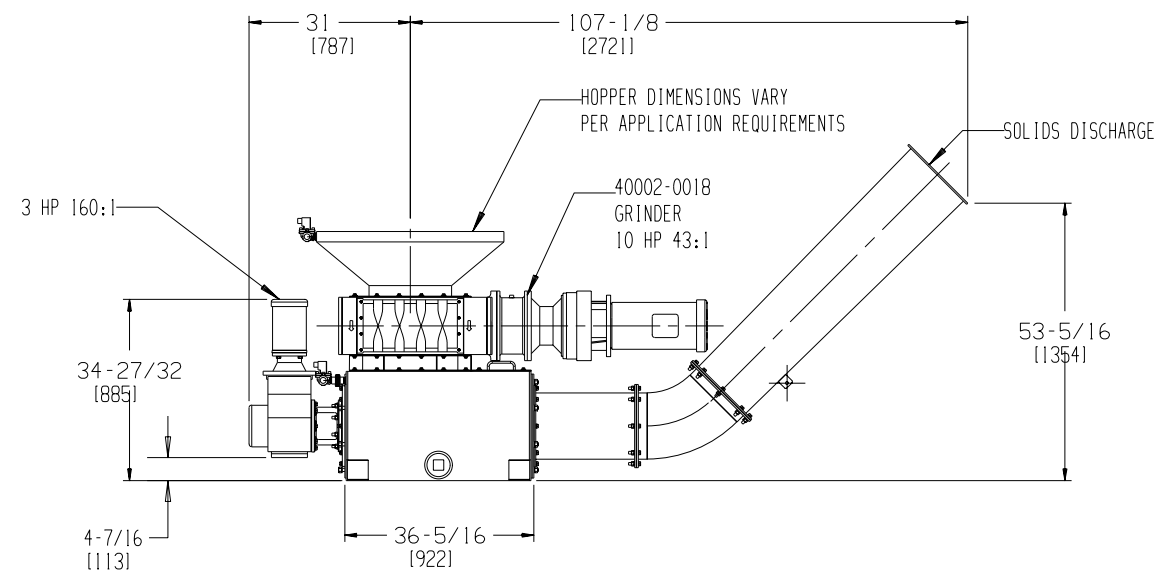
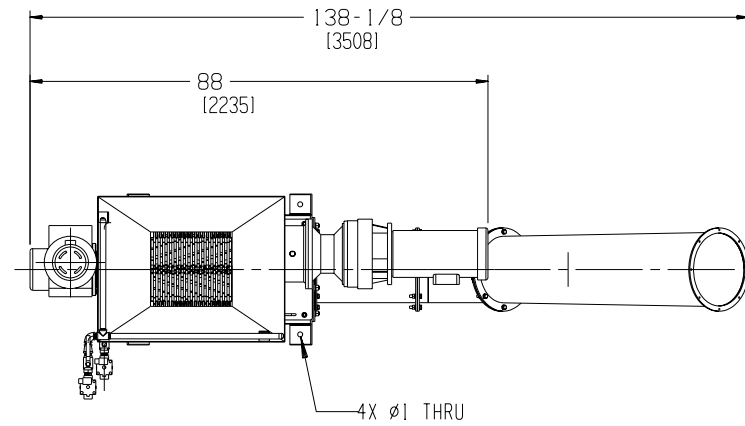
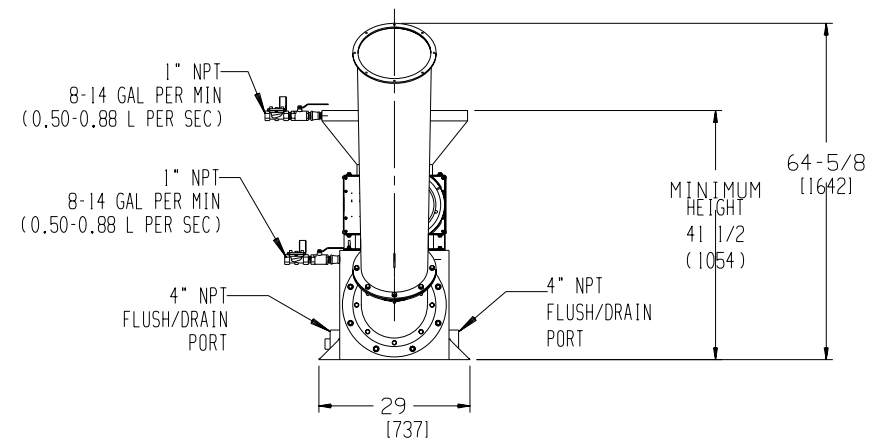


NOTES:
1. BRACKETED DIMENSIONS ARE IN MM.



REVISIONS				
ZONE	LTR	DESCRIPTION	DATE	APPROVED
ALL	NEW	INITIAL RELEASE	12-21-00	SW-0027 RS
ALL	A	ROTATE 3HP MOTOR BY 90 DEGREES, AND REPLACE TANK'S BASE BY BRACKETS AND GUSSETS	04-09-01	SW-0033



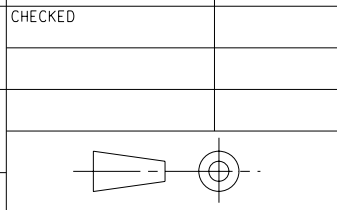
UNLESS OTHERWISE SPECIFIED
DIMENSIONS ARE IN INCHES
TOLERANCES ARE:
FRACTIONS DECIMALS ANGLES
±1/16 .xx±.01 ±1/2°
.xxx±.005

CONTRACT NO.	
APPROVALS	DATE
DRAWN K. TRAN	12-21-00

JWC JWC MANUFACTURING
2600 South Garnsey, Santa Ana, California 92707

SWM INSTALLATION
SCREENINGS WASHER MONSTER
SWM4018 W/45° DISCHARGE

MATERIAL
FINISH 125 UNLESS OTHERWISE SPECIFIED
DO NOT SCALE DRAWING



SIZE B	CODE IDENT NO. 53242	DRAWING NO. SWM4018-0045-C	REV A
SCALE: 1/32		SHEET 1 OF 1	

THIS DRAWING AND DATA ARE FULLY PROTECTED BY COPYRIGHT OWNED BY JWC ENVIRONMENTAL. THIS DRAWING AND DATA EMBODY PROPRIETARY INFORMATION WHICH IS THE CONFIDENTIAL PROPERTY OF JWC ENVIRONMENTAL AND WHICH SHALL NOT BE COPIED, REPRODUCED, DISCLOSED TO OTHERS, OR USED IN WHOLE OR IN PART FOR ANY PURPOSE WITHOUT THE EXPRESS WRITTEN PERMISSION OF J.W.C.E. THIS DRAWING IS LOANED IN CONFIDENCE WITH THE UNDERSTANDING IT SHALL BE RETURNED ON DEMAND.

ALL RIGHTS RESERVED